

SMART COMMAND

by **CAROMA**

SERIES 3 GOOSENECK OUTLET TRIM KIT (LOW FLOW)

PLUMBERS INSTALLATION INSTRUCTIONS - OUTLET

Important Information

- * Before drilling the mounting hole in the bench for the tap ensure there is nothing interfering with the sensor clearance area as shown in Fig. 2.
- * Not suitable for gravity feed systems.
- * The basin outlet is fitted with a flow regulated aerator insert. This low flow rate may not be suitable for connection to some Instantaneous Gas Water Heaters, some Tempering Valves, some Solar Water Heaters & some Thermostatic Mixing Valves. Check with the manufacturers of these products.
- * All pipework must be thoroughly flushed prior to installation, as foreign materials may block the flow regulating device and reduce the flow of water. Note: Aerator insert must be retightened to prevent removal by hand.
- * Refer to side 2 of this instruction for control box mounting and connection details.

Installation

- 1) From fixing pack fit 'O'ring (2) into groove of outlet base (1).
- 2) *Flexible Tail Connection:* Apply suitable lubricant to 'O'ring (9). Fit flexible tail (6) into threaded hole in base of outlet (1). Hand tighten the flexible tail, ensuring the 'O'ring (9) has fully entered the sealing bore to provide a watertight joint.
- 3) Insert the control box connection end (7) of the flexible tail (6) and the sensor cable (8) through the hole in the deck. Place outlet into deck hole, slide rubber washer (12) and metal washer (3) over threaded tail of outlet as shown in Fig. 1. Screw clamp ring (4) onto threaded tail until it contacts washer (3) then tighten screws (5) equally until outlet is clamped firmly to the deck. DO NOT OVERTIGHTEN.

Important: Flexible tail must not be kinked, twisted or in tension when installed. (Minimum Bend Radius:- 50mm) Do not install flexible tail where subject to ultra violet light.

Removing Aerator Insert

- 1) Carefully remove aerator (10) from outlet (1), using the supplied spanner (11).
- 2) Check that aerator is clean. Deposits of lime can be removed by washing in a vinegar solution.
- 3) Assemble aerator insert (10) into thread of outlet (1) and tighten securely (to prevent removal by hand).

IMPORTANT	
<u>Pressure & Temperature Requirements.</u>	
<ul style="list-style-type: none"> • This product complies with the Lead Free requirements of the National Construction Code Volume Three. • Static Inlet pressure range : 150 -700 kPa New Regulation:- 500 kPa maximum static pressure at any outlet within a building. (Ref. AS/NZS 3500.1) • Maximum hot water temperature : 70°C. 	
<u>Deck Requirements</u>	
<ul style="list-style-type: none"> • Deck thickness : 40mm maximum • Tap body hole (in deck) : Ø34-36mm 	

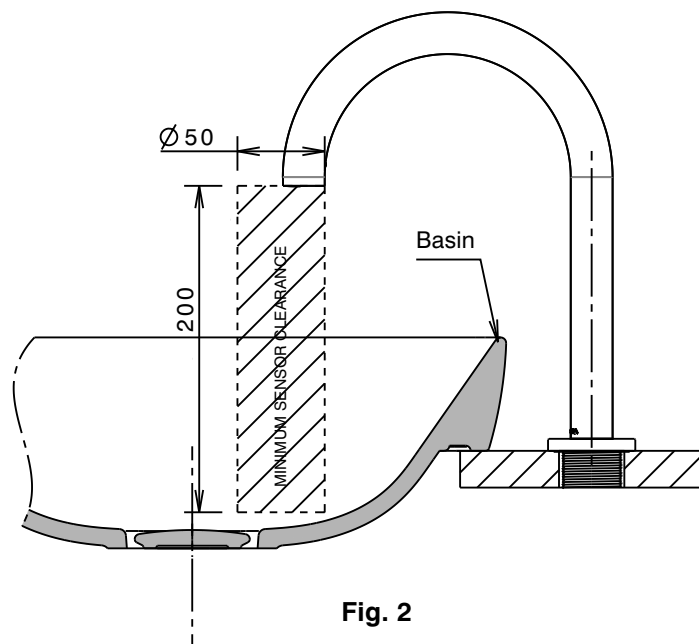


Fig. 2

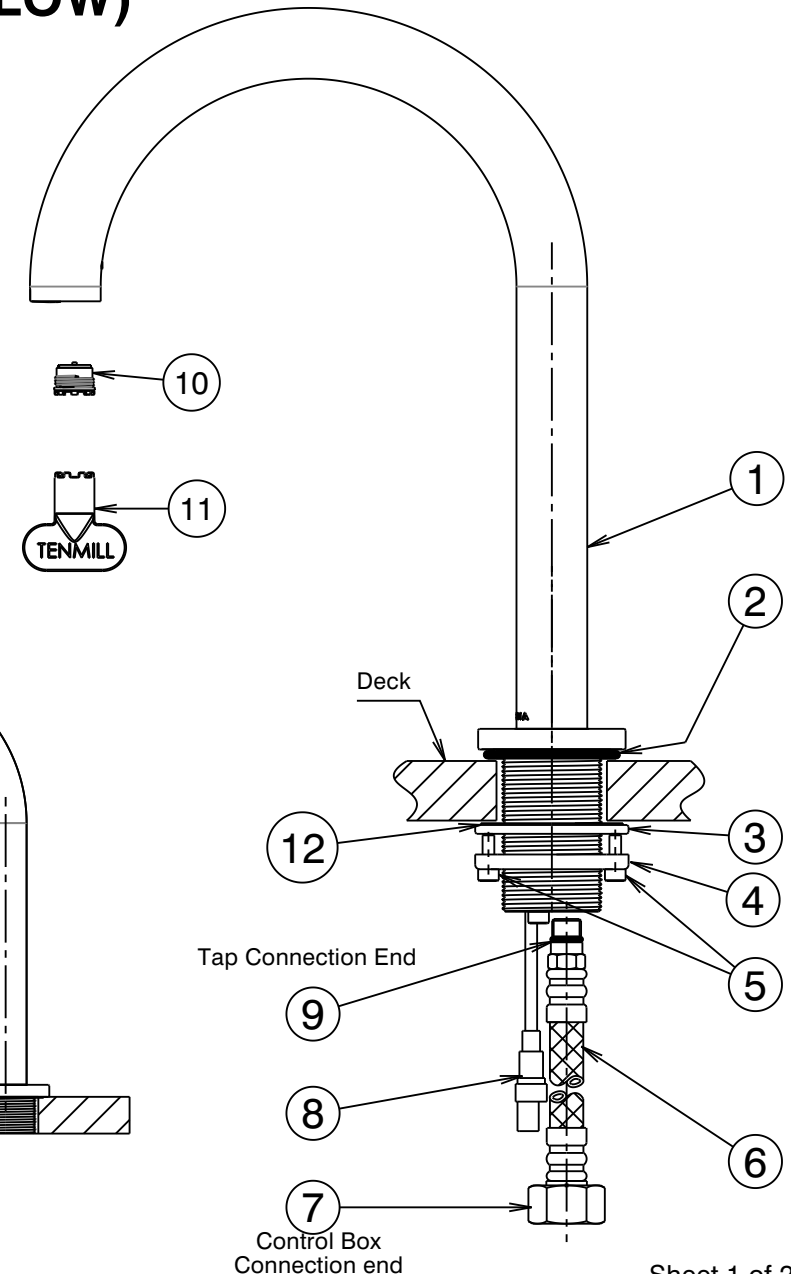


Fig. 1